

Infinite is the ultimate in classic modernity, delivering sleek, clean lines, flush fronts and minimalist fittings. This is a contemporary, high quality solution, perfect for the most stylish environments.





Key features

A choice of 4 finishes including 11 real wood veneers, for the most stylish washrooms

Floating, flush fronted design

Emergency release mortice lock indicator bolts

Self-closing hinges for a minimal look with clean lines

Sleek and strong stainless steel and aluminium fittings

Optional choice of black, brass or bronze effect cubicle hardware for ultimate design flexibility

Infinite

The ultimate in classic modernity, Infinite gives a better impression where it is keenly noticed. Floating fronts, adjustable stainless steel pedestals and a unique 3-part aluminium headrail system gives a flush-fronted, endless cubicle finish that's perfect for the most stylish environments.



01

01 Adjustable stainless steel pedestals are set back on partitions to give floating appearance.

02 Indicator bolt with emergency release facility.

03 Standard fittings.

04 Black effect fittings.

05 Brass effect fittings.

06 Bronze effect fittings.

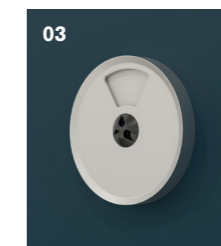
See p92-93 for Infinite technical specifications.



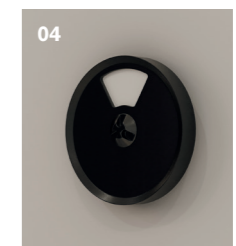
02

Main image

Infinite cubicles in American White Oak Straight Grain real wood veneer with Quartz Q4 profile vanity units in Nougat.



03



04



05



06

For the full choice of veneers, please visit www.venesta.co.uk, call our sales team on 01474 353333 or refer to our separate Colour Selector brochure.

Infinite Full Height with Headrail

Our premium Infinite Full Height with Headrail range boasts all the same innovative features of Infinite, but with the added benefit of a full height design. With minimal ceiling and floor clearances and rebate edge doors, this range offers unrivalled end user privacy. For added design flexibility in premium washroom settings, you have the choice of specifying the pedestals, headrails, indicator bolts, hinges and cubicle accessories in 4 finishes, including stainless steel, black, brass and bronze effect finishes.

01

01 Sleek unique 3-part aluminium headrail system in brass effect finish.

02 Adjustable stainless steel pedestal in brass effect finish, set back on partition to give floating appearance.

See p92-93 for Infinite Full Height technical specifications.

Main image

Infinite Full Height with Headrail HPL cubicles in Dark Walnut with brass effect fittings. WT1 profile Solid Surface washtrough in Sunstone with Suede underpanels and Hartley basin mixer taps in brushed nickel.

02

Key features

- A unique 3-part aluminium headrail system
- Adjustable stainless steel pedestals set back on partitions for a minimal, floating design
- Specify in a choice of 4 high grade, tried and tested finishes including real wood veneer
- Sleek stainless steel and aluminium fittings
- Self-closing hinges for a minimal look with clean lines
- Emergency release mortice lock indicator bolts
- Optional choice of black, brass or bronze effect cubicle hardware for design flexibility
- Choose any RAL Classic colour when specifying ColourCoat or ColourCoat High Gloss

Infinite Full Height with Fixing Blocks

Infinite Full Height with Fixing Block cubicles boast an array of premium, innovative features, including our most secure emergency release indicator bolt to date. Sleek and strong ceiling and floor fixing blocks create a full floor-to-ceiling, flush-fronted, endless cubicle finish with maximum end user privacy guaranteed. Available in four high grade finishes, Infinite Full Height with Fixing Blocks gives you endless design possibilities.



01 Brass effect mortice lock indicator bolt with emergency release mechanism.

02 Brass effect floor fixing block for cubicle rigidity.

See p92-93 for Infinite Full Height technical specifications.

Main image

Infinite Full Height with Fixing Block cubicles in Teal with brass effect fittings. Solid Surface WT2 profile washtrough in Everest with Hartley wall mounted mixer taps in brushed nickel and 1300mm Mirror Box Units.



Key features

- Minimal flush fronted design
- Ceiling and floor fixing blocks for full height cubicle
- Minimal floor and ceiling clearances for user privacy
- A choice of 4 finishes including 11 real wood veneers, for the most stylish washrooms
- Sleek stainless steel and aluminium fittings
- Our most secure emergency release indicator bolt to date
- Optional choice of black, brass or bronze effect cubicle hardware for ultimate design flexibility

Case Study Sharjah Central Shopping Mall

Infinite Full Height with Fixing Blocks has delivered ultra-modern and sleek washroom facilities to Sharjah Central Shopping Mall in United Arab Emirates.

Sharjah Central is a newly developed two storey retail and leisure destination, offering an enriching shopping experience to the local community in Sharjah, UAE. Boasting a wide selection of shops, restaurants, a 10,000 square metre hypermarket and an extensive entertainment complex, Sharjah Central's mission is to be the ultimate leisure destination for families and entertainment seekers.

Being in close proximity to Sharjah International Airport and Sharjah University City, footfall was expected to be high and steady. With this in mind, Abu Dhabi based management company Lulu Group International required a premium cubicle system which would offer visitors privacy and could stand the test of time too.

Infinite Full Height toilet cubicles were specified in heat, scratch and impact resistant High Pressure Laminate (HPL), an ideal material for heavily used areas. The ultimate in classic modernity, Infinite Full Height delivers sleek, clean lines, flush-fronts and minimalist fittings. 'Cloud' and 'Gunmetal' were the colours of choice for the cubicles, complementing the décor of the modern washrooms.

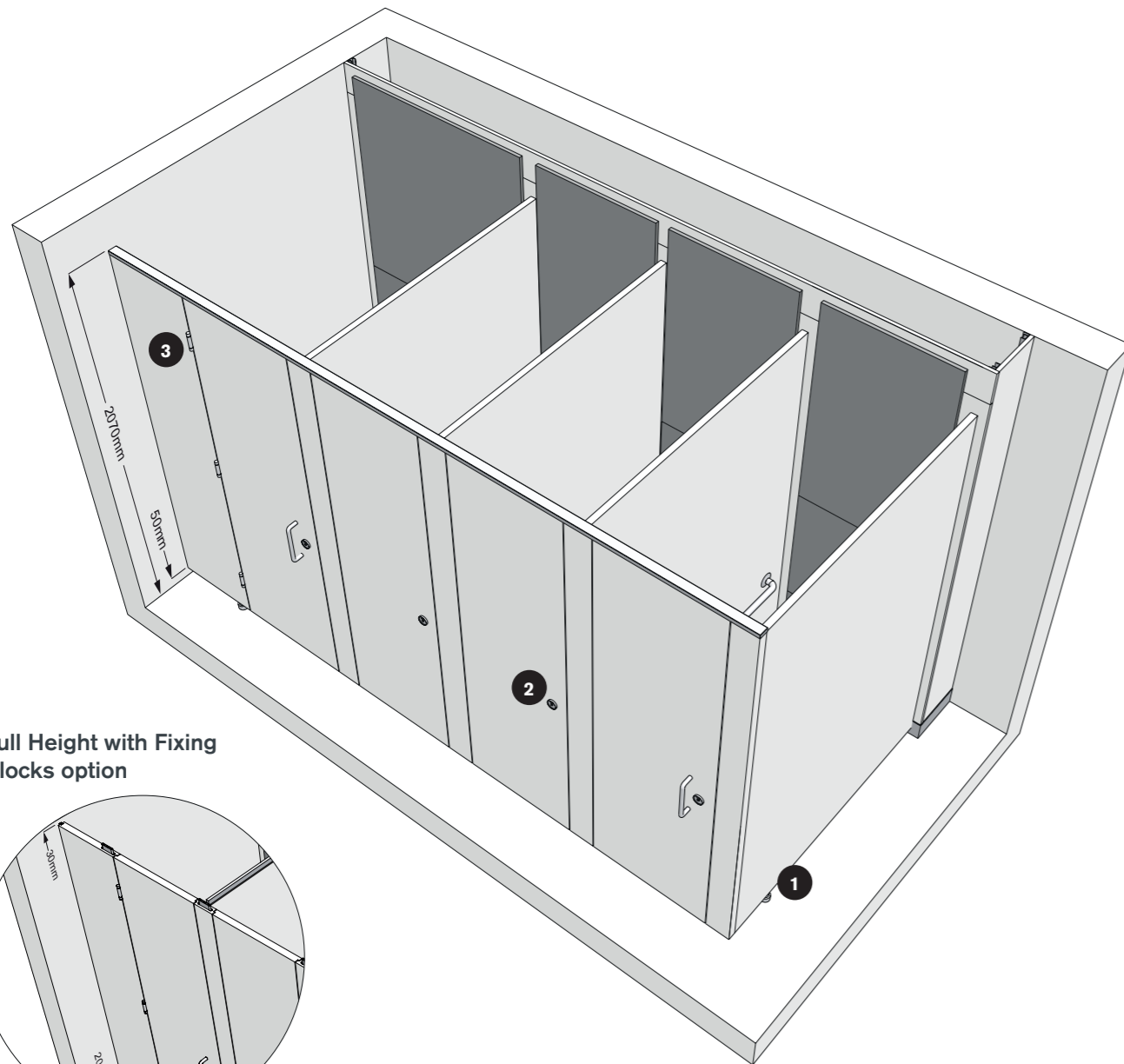
The cubicle partitions and pilasters are fixed to the floor and ceiling with fixing blocks for style and rigidity in equal measure. Meanwhile, the ceiling to floor cubicles and 20mm door clearances guarantee total user privacy.

The Infinite range boasts sleek stainless steel lever operated indicator bolts that offer quick emergency release from outside of locked cubicles. This means no damage is done to the cubicles or locks in the event of an emergency, which is a key consideration when specifying commercial washrooms in busy settings.

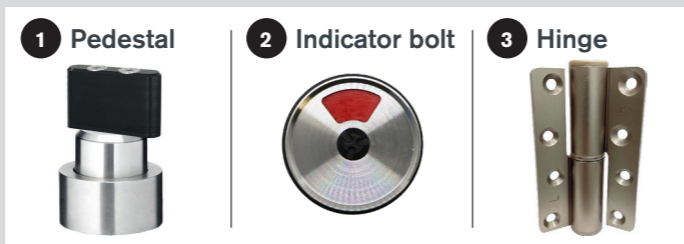
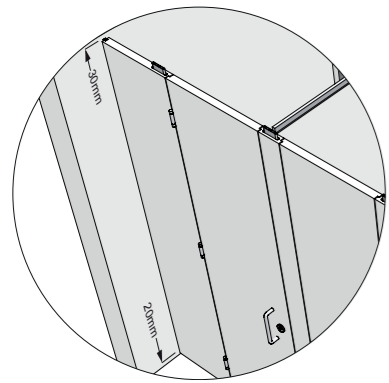
Read the full case study at www.venesta.co.uk



Technical Specifying Infinite



Full Height with Fixing Blocks option



Dimensions

Infinite

Overall height
2070mm

Maximum depth
2090mm

Floor clearance
50mm

Minimum ceiling clearance
20mm

Infinite Full Height with Headrail
Maximum height
2830mm

Maximum depth
2090mm

Floor clearance
50mm

Minimum ceiling clearance
20mm

Infinite Full Height with Fixing Blocks
Maximum ceiling height
2815mm

Maximum depth
2090mm

Floor clearance
20mm

Minimum ceiling clearance
30mm

Performance

Available in four material options, Infinite is suitable for even the most prestigious environments allowing you to specify with confidence.

HPL

Doors and pilasters are 44mm nominal thickness with an MDF core, partitions are 25mm nominal thickness.

ColourCoat

Doors and pilasters are 44mm nominal thickness MDF, partitions are 25mm MDF, both are sprayed with a coat of primer and finished with 20% gloss pigmented lacquer.

ColourCoat High Gloss

Doors and pilasters are 44mm nominal thickness MDF, partitions are 25mm MDF, both are sprayed with a coat of primer and finished with 80% gloss pigmented lacquer.

Veneer

Doors and pilasters are 44mm nominal thickness MDF faced with real wood veneer, partitions are 25mm MDF core faced with real wood veneer.

Door, pilaster and partition edging in complementing ABS from the Venesta standard colour range.

Detailing

Panels and doors

Available in HPL, ColourCoat, ColourCoat High Gloss and Veneer.

Colour finish

HPL

34 colours from the standard range. ColourCoat and ColourCoat High Gloss Any RAL classic colour, excluding metallic and fluorescent colours.

Veneer

11 Alpi real wood veneers (varying price points). Cubicle hardware Stainless steel and aluminium. Optional choice of black, brass or bronze effect coatings.

Edge treatment

HPL

Matching ABS lipping.

ColourCoat

Edges are sprayed with one coat of primer and finished with 20% gloss pigmented polyurethane lacquer.

ColourCoat High Gloss

Edges are sprayed with one coat of primer and finished with 80% gloss pigmented polyurethane lacquer.

Veneer

Complementing ABS edging from the standard range.

Headrail (Not applicable to Infinite Full Height with Headrail)

Slimline profile satin anodised aluminium headrail with 3 part fixing system allowing cubicles to finish 20mm below ceiling height. Stainless steel end cap.

Cubicle hardware

Indicator bolt

Stainless steel indicator bolt with slimline mortice lock and unique emergency release function.

Hinge

Stainless steel effect aluminium hinge (lift off available).

Pedestal

Infinite and Infinite Full Height with Headrail: Adjustable stainless steel pedestal.

Infinite Full Height with Fixing Blocks: Stainless steel effect aluminium fixing blocks to floor and ceiling.

Fixings

Partition to wall: Satin anodised aluminium H-channel and Z-clips.

Pilaster to partition: Steel Z-clips.

Pilaster to wall: Satin anodised aluminium H-channel and Z-clips.

Floor and ceiling fixing: Stainless steel effect aluminium fixing blocks (Infinite Full Height only).

Accessories

Coat hooks and toilet roll holders available. Optional choice of black, brass or bronze effect coatings.